

MODULINE

MOD-WAT Pendant Fixed Downlight



MODULINE DOWNLIGHT MODULE

is a scalable, flexible option that provides extremely low glare downlighting for any architectural space. MODULINE provides smooth circular light distributions on horizontal and vertical surfaces to highlight and bring drama to lighting designs.



FEATURES

- The 48V system allows up to 300W of connected load per driver circuit resulting in fewer power feed points than other track systems
- Fixtures install into the track by the pushbutton locking system
- UGR <19 rating results in extremely low surface brightness contributing to a "quiet ceiling"

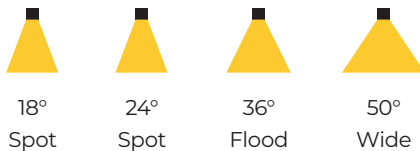
GOOD TO KNOW

- Field adjustable pendant fixture for ambient lighting

SPECIFICATIONS

OPTICAL

- Beam Angle

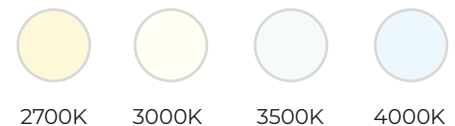


- Reflector Finish



- Color Temperature

90 CRI standard



MECHANICAL

- Aluminum Housing
- Push buttons lock fixtures

ELECTRICAL

- Remote mounted 120-277V 50/60Hz constant 48V DC driver
- Use with 0-10V or DALI dimmers

THERMAL

- L80 lifetime of 50,000 hours
- Ambient fixture operating range: -20°C to 40°C (-4°F to 104°F)

COMPLIANCE

- ETL listed for Dry locations

WARRANTY

- 5 Year limited parts warranty



MODULINE

MOD-WAT Pendant Fixed Downlight



Build Your Specification

PRODUCT CODE

Light Modules

MOD						
SERIES	APPLICATION	SIZE / LUMENS	BEAM ANGLE	CRI / CCT	FINISH	DIMMING CONTROL / VOLTAGE
MOD Moduline	WAT Water Drop	L4 450 lumens	SP Spot (18°)	927 90 / 2700K	BL Black	NDUNV Non-Dimming, 120-277V
			NF Narrow Flood (24°)	930 90 / 3000K	WH White	010UNV 0-10V dims to 5%, 120-277V
			FL Flood (36°)	935 90 / 3500K	CF¹ Custom Finish	DALIUNV DALi dims to 5%, 120-277V
			WF Wide Flood 50°)	940 90 / 4000K		PDUNV Phase dimming Triac & ELV dims to 5%, 120-277V

¹Specify RAL #

FIXTURE FINISH



White



Black

REFLECTOR FINISH



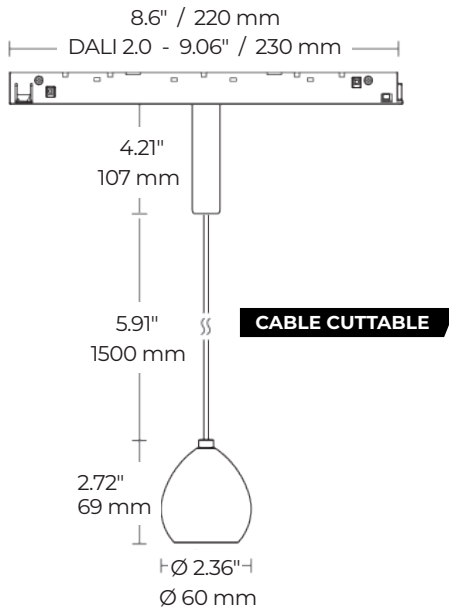
Black

MODULINE

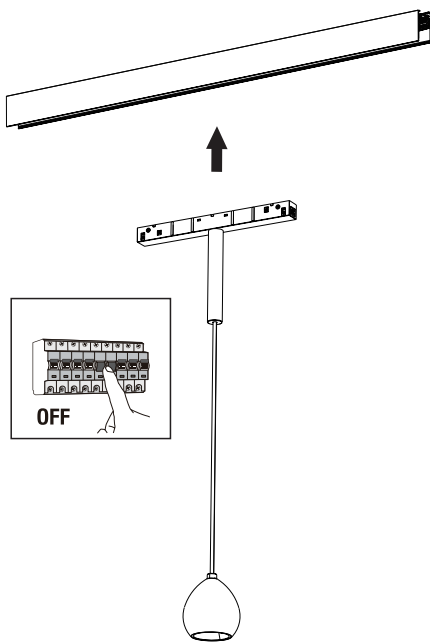
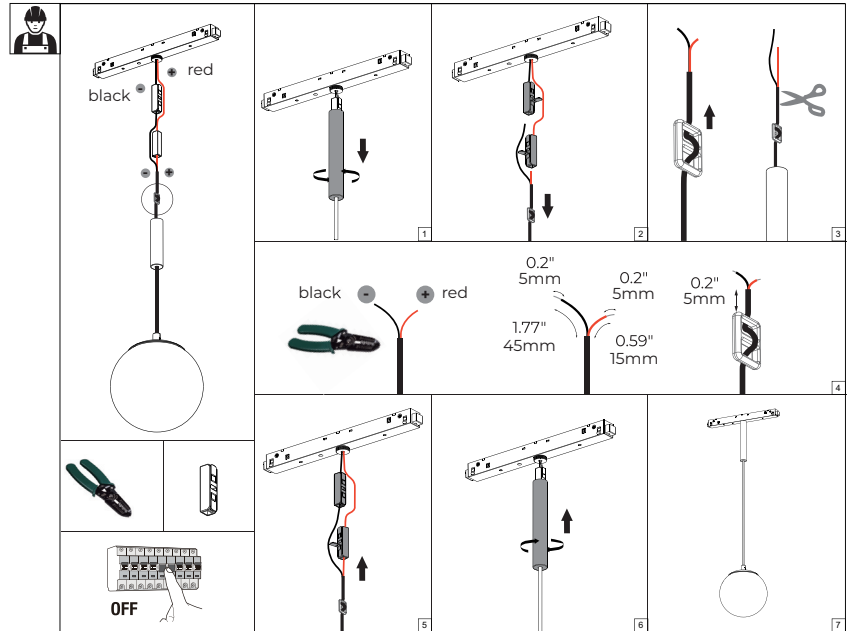
MOD-WAT Pendant Fixed Downlight



DIMENSIONS



CUTTABLE SUSPENSION LENGHT!



MODULINE

MOD-WAT Pendant Fixed Downlight



PHOTOMETRIC PERFORMANCE

Technical Information Table

Fixture	Input Voltage	Input Power	THD	Power Factor
MOD-WAT-L4	48V DC	10W	<20%	>0.9

Nominal Performance

Fixture	Beam Angle	3000K	
		Lumens	LPW
MOD-WAT-L4	Spot (18°)	394	80
	Narrow Flood (24°)	412	84
	Flood (36°)	410	84
	Wide Flood (50°)	420	85

Multiplier Tables

CCT	Conversion Factor
2700K	0.95
3000K	1.00
3500K	1.05
4000K	1.08

