

PURE

Architectural Track Lighting System



PURE

is a family of traditional cylindrical shaped, architectural grade, LED track heads. PURE track heads feature extruded aluminum housings that encase a deep recessed optical system, complete with a matte black anti-glare ring that enhances the crisp light produced by the latest generation LED emitters. Integral LED drivers allow for a clean, small form factor that can be mounted in any single circuit H, J or L track.



FEATURES

- Three fixture sizes with outputs up to 3300 lumens
- Three field changeable optical distribution options
- Three type of track adapters fit the majority of retrofit opportunities

GOOD TO KNOW

- Anti-glare ring provides maximum visual comfort
- Compliments Verozza cylinders in project designs
- Stem mount provides minimalist design aesthetic

SPECIFICATIONS

OPTICAL

- Beam Angle



18°
Spot



24°/25°
Narrow
Flood



30°/36°
Flood



45°
Wide
Flood

- Fixture Finish



White Black

- Color Temperature



2700K 3000K 3500K 4000K

90 CRI standard, 80 CRI available, 3 SDGM

MECHANICAL

- Cylindrical extruded aluminum housing
- Available in small, medium, and large sizes
- Available in textured matte white or matte black

ELECTRICAL

- 120V, 60Hz Triac/ELV dimming driver or 120-277V non dimming driver

THERMAL

- Ambient fixture operating range: -20°C to 40°C (-4°F to 104°F)

MOUNTING

- Use with standard H, J, or L single circuit tracks
- Track heads rotate 359° and tilt up to 90°

COMPLIANCE

- ETL listed for Damp locations

WARRANTY

- 5 Year limited parts warranty



PURE

Architectural Track Lighting System



PRODUCT CODE

Build Your Specification: A complete luminaire includes Product Codes for a Fixture, Trim and Housing, ordered separately

Fixture

PURE														
SERIES	SIZE / SHAPE	TRACK ADAPTER	NOM. LUMEN OUTPUT	FIXED / SPOT BEAM ANGLES	CRI / CCT	FIXTURE FINISH	VOLTAGE / DRIVER							
PURE Pure Track Head	S Small	HT Halo Type, single circuit	SMALL 13L 1300 lumens	SMALL SP Spot (18°)	827 80 / 2700K	BL Black	PDUNV @ 120V Phase dimming Triac/ELV							
								M Medium	JT Juno Type, single circuit	MEDIUM 16L 1600 lumens	NF Narrow Flood (24°)	830 80 / 3000K	WH White	@ 277V No dimming
	GT Global Type, 3 circuit	23L 2300 lumens	MEDIUM SP Spot (18°)	930 90 / 3000K										
					33L 3300 lumens	NF Narrow Flood (25°)	935 90 / 3500K	940 90 / 4000K						
	FL Flood (30°)	LARGE SP Spot (18°)	WF Wide Flood (50°)											
				FL Flood (30°)					FL Flood (30°)					

Accessories

PURE				
SERIES	SIZE			ACCESSORY
PURE Pure Track Head	S Small	M Medium	L Large	HC Field Installed Honeycomb Louver

PURE

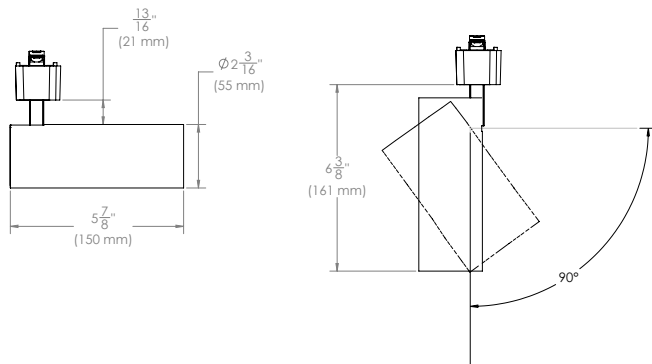
Architectural Track Lighting System



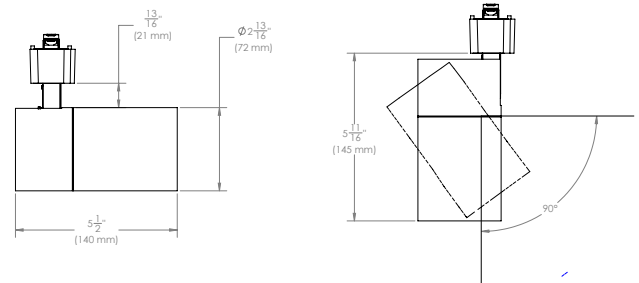
DIMENSIONS

Fixture

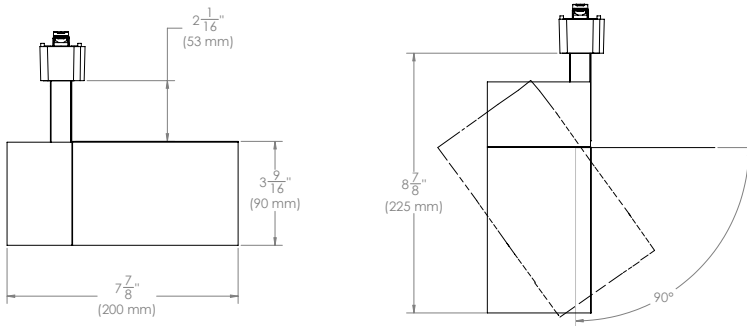
Small



Medium



Large



FIXTURE FINISH



Black



White

PURE

Architectural Track Lighting System



PHOTOMETRIC PERFORMANCE

Technical Information table

Fixture	Input Voltage	Input Current	Input Power	THD	Power Factor
PURE - Small	120 / 277	125mA / 54mA	15W	<20%	>0.9
PURE - Medium	120 / 277	125mA / 54mA	15W	<20%	>0.9
	120 / 277	175mA / 76mA	21W	<20%	>0.9
PURE - Large	120 / 277	233mA / 101mA	28W	<20%	>0.9

Nominal Performance

Fixture	Beam Angle	90CRI, 4000K	
		Lumens	LPW
S = Small Track Head, 13L	SP = Spot (18°)	1168	78
	NF= Narrow Flood (24°)	1224	82
	FL = Flood (36°)	1340	90
M = Medium Track Head, 16L	SP = Spot (18°)	1332	92
	NF= Narrow Flood (25°)	1486	102
	FL = Flood (36°)	1659	114
M = Medium Track Head, 23L	SP = Spot (18°)	1894	92
	NF= Narrow Flood (25°)	2133	104
	FL = Flood (36°)	2352	114
L = Large Track Head, 33L	SP = Spot (18°)	3219	116
	FL = Flood (30°)	3333	119
	WF = Wide Flood (45°)	3261	117

Multiplier Tables

CRI	Conversion Factor
80	1
90	0.85

CCT	Conversion Factor
2700K	0.87
3000K	0.93
3500K	0.97
4000K	1.00

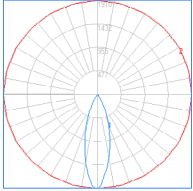
PURE

Architectural Track Lighting System

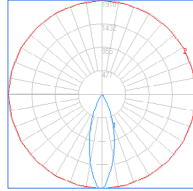


PHOTOMETRY

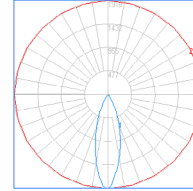
PURE-S-xx-13L-SP-840



PURE-S-xx-13L-NF-840



PURE-S-xx-13L-FL-840



IES Test Information	
Test File	PURE-ART-15W-840-18D
Lumens	1168
CBCP (cd)	6,005
Power (W)	15
Efficacy (LPW)	78
CRI	80
CCT	4000K
Spacing Criteria (S/H)	0.3
Beam Angle (°)	20

Candlepower Distribution	
Angle (°)	Average (cd)
10	2961
20	889
30	187
40	38
50	16
60	5
70	1
80	0
90	0

Zonal Lumen Summary		
Zone	Lumens	% Fixture
0-30	1090	93.3%
0-60	1165	99.7%
0-90	1168	100.0%

Cone data				
Fixture Height		Avg	Beam Diameter	
ft	m	(fc)	ft	m
3.3	1	402	1.0	0.3
6.6	2	100	2.3	0.7
9.8	3	45	3.3	1
13.1	4	25	4.3	1.3
16.4	5	16	5.6	1.7

IES Test Information	
Test File	PURE-ART-15W-840-24D
Lumens	1224
CBCP (cd)	5421
Power (W)	15
Efficacy (LPW)	82
CRI	80
CCT	4000K
Spacing Criteria (S/H)	0.4
Beam Angle (°)	23

Candlepower Distribution	
Angle (°)	Average (cd)
10	3226
20	941
30	216
40	52
50	14
60	4
70	0
80	0
90	0

Zonal Lumen Summary		
Zone	Lumens	% Fixture
0-30	1126	92.0%
0-60	1223	99.9%
0-90	1224	100.0%

Cone data				
Fixture Height		Avg	Beam Diameter	
ft	m	(fc)	ft	m
3.3	1	342	1.3	0.4
6.6	2	85	2.6	0.8
9.8	3	38	3.9	1.2
13.1	4	21	5.2	1.6
16.4	5	14	6.6	2

IES Test Information	
Test File	PURE-ART-15W-840-36D
Lumens	1340
CBCP (cd)	3,925
Power (W)	15
Efficacy (LPW)	90
CRI	80
CCT	4000K
Spacing Criteria (S/H)	0.5
Beam Angle (°)	34

Candlepower Distribution	
Angle (°)	Average (cd)
10	3262
20	1253
30	231
40	65
50	14
60	3
70	0
80	0
90	0

Zonal Lumen Summary		
Zone	Lumens	% Fixture
0-30	1225	91.4%
0-60	1338	99.9%
0-90	1340	100.0%

Cone data				
Fixture Height		Avg	Beam Diameter	
ft	m	(fc)	ft	m
3.3	1	255	2.0	0.6
6.6	2	64	3.9	1.2
9.8	3	29	5.9	1.8
13.1	4	16	7.9	2.4
16.4	5	10	9.8	3

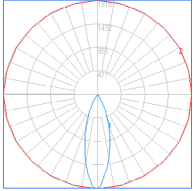
PURE

Architectural Track Lighting System

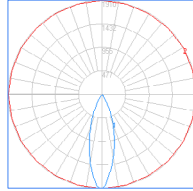


PHOTOMETRY

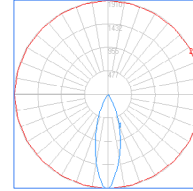
PURE-M-xx-16L-SP-840



PURE-M-xx-16L-NF-840



PURE-M-xx-16L-FL-840



IES Test Information	
Test File	PURE-S-15W-840-15
Lumens	1332
CBCP (cd)	9,610
Power (W)	15
Efficacy (LPW)	92
CRI	80
CCT	4000K
Spacing Criteria (S/H)	0.3
Beam Angle (°)	16

Candlepower Distribution	
Angle (°)	Average (cd)
10	3012
20	723
30	242
40	115
50	59
60	25
70	4
80	0
90	0

Zonal Lumen Summary		
Zone	Lumens	% Fixture
0-30	1112	83.5%
0-60	1317	98.9%
0-90	1332	100.0%

Cone data				
Fixture Height		Avg	Beam Diameter	
ft	m	(fc)	ft	m
3.3	1	632	1.0	0.3
6.6	2	158	1.6	0.5
9.8	3	70	2.6	0.8
13.1	4	39	3.3	1
16.4	5	25	4.6	1.4

IES Test Information	
Test File	PURE-S-15W-840-25
Lumens	1486
CBCP (cd)	7322
Power (W)	15
Efficacy (LPW)	102
CRI	80
CCT	4000K
Spacing Criteria (S/H)	0.4
Beam Angle (°)	26

Candlepower Distribution	
Angle (°)	Average (cd)
10	5079
20	744
30	112
40	44
50	28
60	16
70	3
80	0
90	0

Zonal Lumen Summary		
Zone	Lumens	% Fixture
0-30	1389	93.5%
0-60	1476	99.3%
0-90	1486	100.0%

Cone data				
Fixture Height		Avg	Beam Diameter	
ft	m	(fc)	ft	m
3.3	1	488	1.3	0.4
6.6	2	122	3.0	0.9
9.8	3	54	4.3	1.3
13.1	4	31	5.9	1.8
16.4	5	20	7.2	2.2

IES Test Information	
Test File	PURE-S-15W-840-30
Lumens	1659
CBCP (cd)	5,395
Power (W)	15
Efficacy (LPW)	114
CRI	80
CCT	4000K
Spacing Criteria (S/H)	0.5
Beam Angle (°)	30

Candlepower Distribution	
Angle (°)	Average (cd)
10	3739
20	1540
30	295
40	95
50	44
60	11
70	2
80	0
90	0

Zonal Lumen Summary		
Zone	Lumens	% Fixture
0-30	1478	89.1%
0-60	1652	99.6%
0-90	1659	100.0%

Cone data				
Fixture Height		Avg	Beam Diameter	
ft	m	(fc)	ft	m
3.3	1	330	1.6	0.5
6.6	2	83	3.3	1
9.8	3	37	5.2	1.6
13.1	4	21	6.9	2.1
16.4	5	13	8.5	2.6

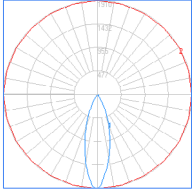
PURE

Architectural Track Lighting System

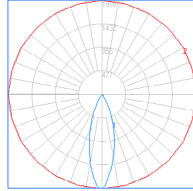


PHOTOMETRY

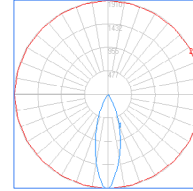
PURE-M-xx-23L-SP-840



PURE-M-xx-23L-NF-840



PURE-M-xx-23L-FL-840



IES Test Information	
Test File	PURE-S-21W-840-15
Lumens	1894
CBCP (cd)	12,128
Power (W)	21
Efficacy (LPW)	92
CRI	80
CCT	4000K
Spacing Criteria (S/H)	0.3
Beam Angle (°)	17

Candlepower Distribution	
Angle (°)	Average (cd)
10	4434
20	1019
30	343
40	163
50	82
60	34
70	6
80	0
90	0

Zonal Lumen Summary		
Zone	Lumens	% Fixture
0-30	1583	83.6%
0-60	1873	98.9%
0-90	1894	100.0%

Cone data				
Fixture Height		Avg	Beam Diameter	
ft	m	(fc)	ft	m
3.3	1	775	1.0	0.3
6.6	2	194	2.0	0.6
9.8	3	86	3.0	0.9
13.1	4	48	3.9	1.2
16.4	5	31	4.9	1.5

IES Test Information	
Test File	PURE-S-21W-840-25
Lumens	2133
CBCP (cd)	11199
Power (W)	21
Efficacy (LPW)	104
CRI	80
CCT	4000K
Spacing Criteria (S/H)	0.4
Beam Angle (°)	25

Candlepower Distribution	
Angle (°)	Average (cd)
10	7470
20	898
30	135
40	60
50	40
60	21
70	4
80	0
90	0

Zonal Lumen Summary		
Zone	Lumens	% Fixture
0-30	2002	93.9%
0-60	2121	99.4%
0-90	2133	100.0%

Cone data				
Fixture Height		Avg	Beam Diameter	
ft	m	(fc)	ft	m
3.3	1	736	1.3	0.4
6.6	2	184	2.6	0.8
9.8	3	82	4.3	1.3
13.1	4	46	5.6	1.7
16.4	5	29	6.9	2.1

IES Test Information	
Test File	PURE-S-21W-840-30
Lumens	2352
CBCP (cd)	7,701
Power (W)	21
Efficacy (LPW)	114
CRI	80
CCT	4000K
Spacing Criteria (S/H)	0.5
Beam Angle (°)	30

Candlepower Distribution	
Angle (°)	Average (cd)
10	5287
20	2199
30	365
40	127
50	62
60	16
70	2
80	0
90	0

Zonal Lumen Summary		
Zone	Lumens	% Fixture
0-30	2109	89.7%
0-60	2342	99.6%
0-90	2352	100.0%

Cone data				
Fixture Height		Avg	Beam Diameter	
ft	m	(fc)	ft	m
3.3	1			
6.6	2			
9.8	3			
13.1	4			
16.4	5			

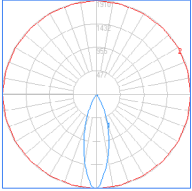
PURE

Architectural Track Lighting System



PHOTOMETRY

PURE-L-xx-33L-WF-840



IES Test Information	
Test File	PURE-M-28W-840-45
Lumens	3261
CBCP (cd)	5,042
Power (W)	28
Efficacy (LPW)	117
CRI	80
CCT	4000K
Spacing Criteria (S/H)	0.7
Beam Angle (°)	47

Candlepower Distribution	
Angle (°)	Average (cd)
10	4531
20	3090
30	1381
40	394
50	49
60	12
70	1
80	0
90	0

Zonal Lumen Summary		
Zone	Lumens	% Fixture
0-30	2576	79.0%
0-60	3254	99.8%
0-90	3260	100.0%

Cone data				
Fixture Height		Avg	Beam Diameter	
ft	m	(fc)	ft	m
3.3	1	300	3.0	0.9
6.6	2	75	5.6	1.7
9.8	3	33	8.5	2.6
13.1	4	19	11.5	3.5
16.4	5	12	14.1	4.3